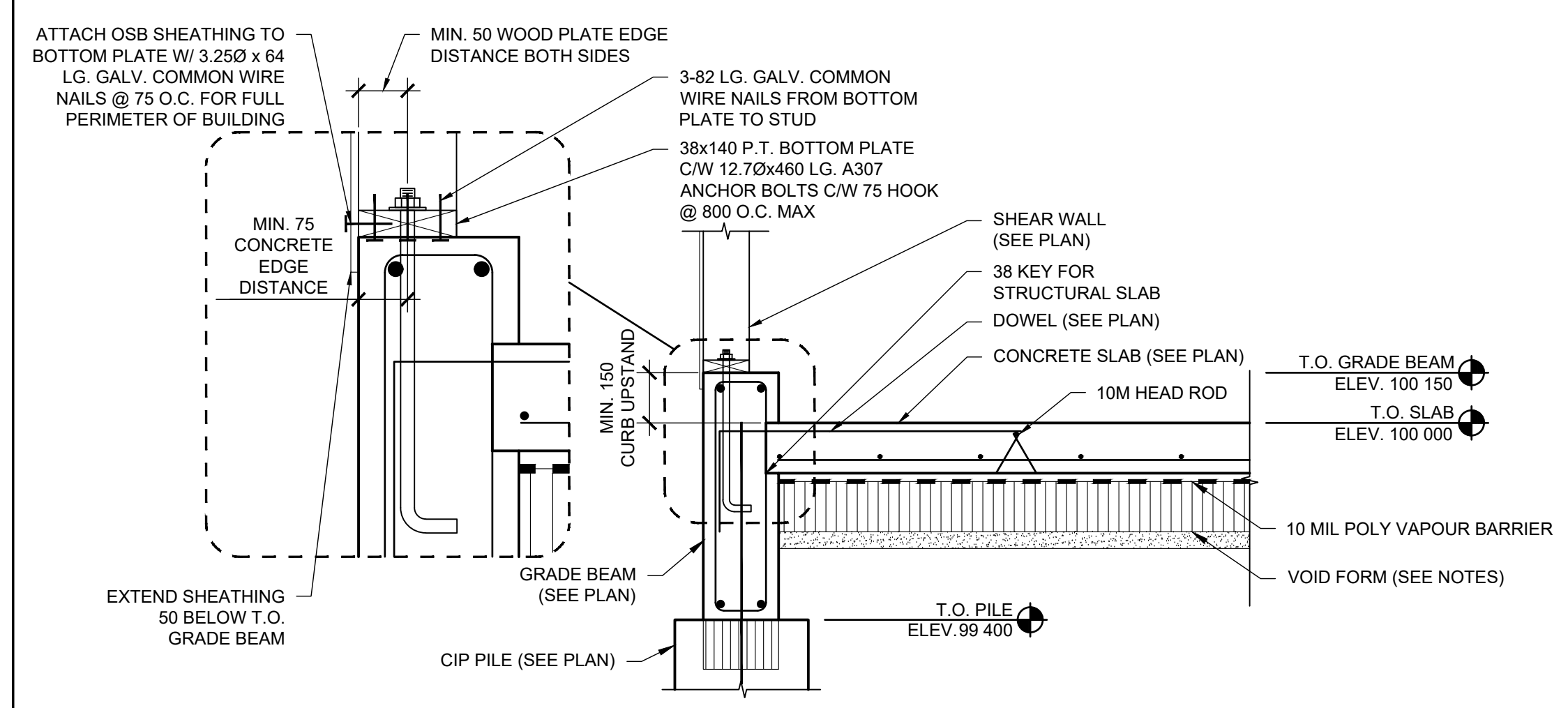
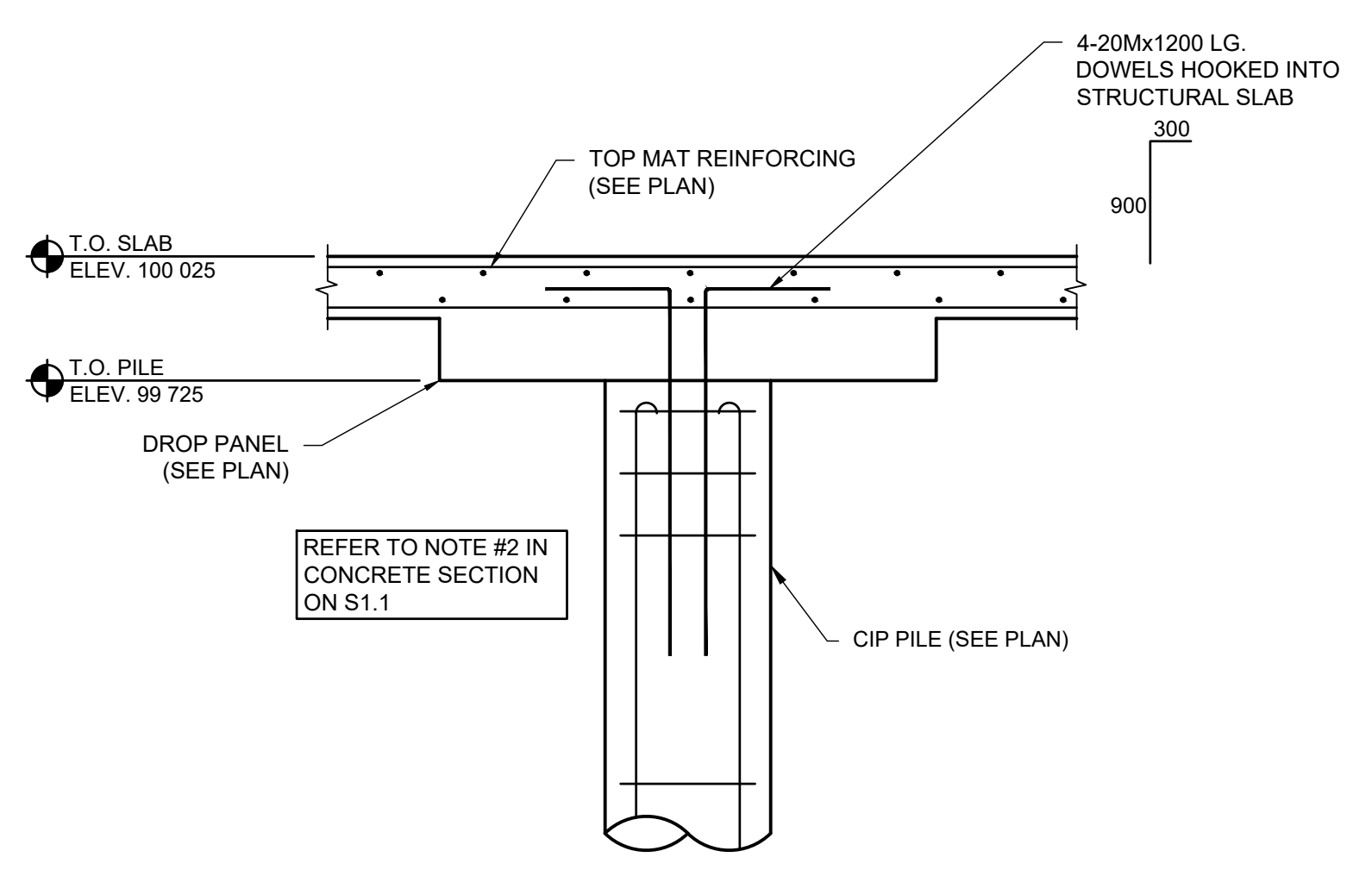


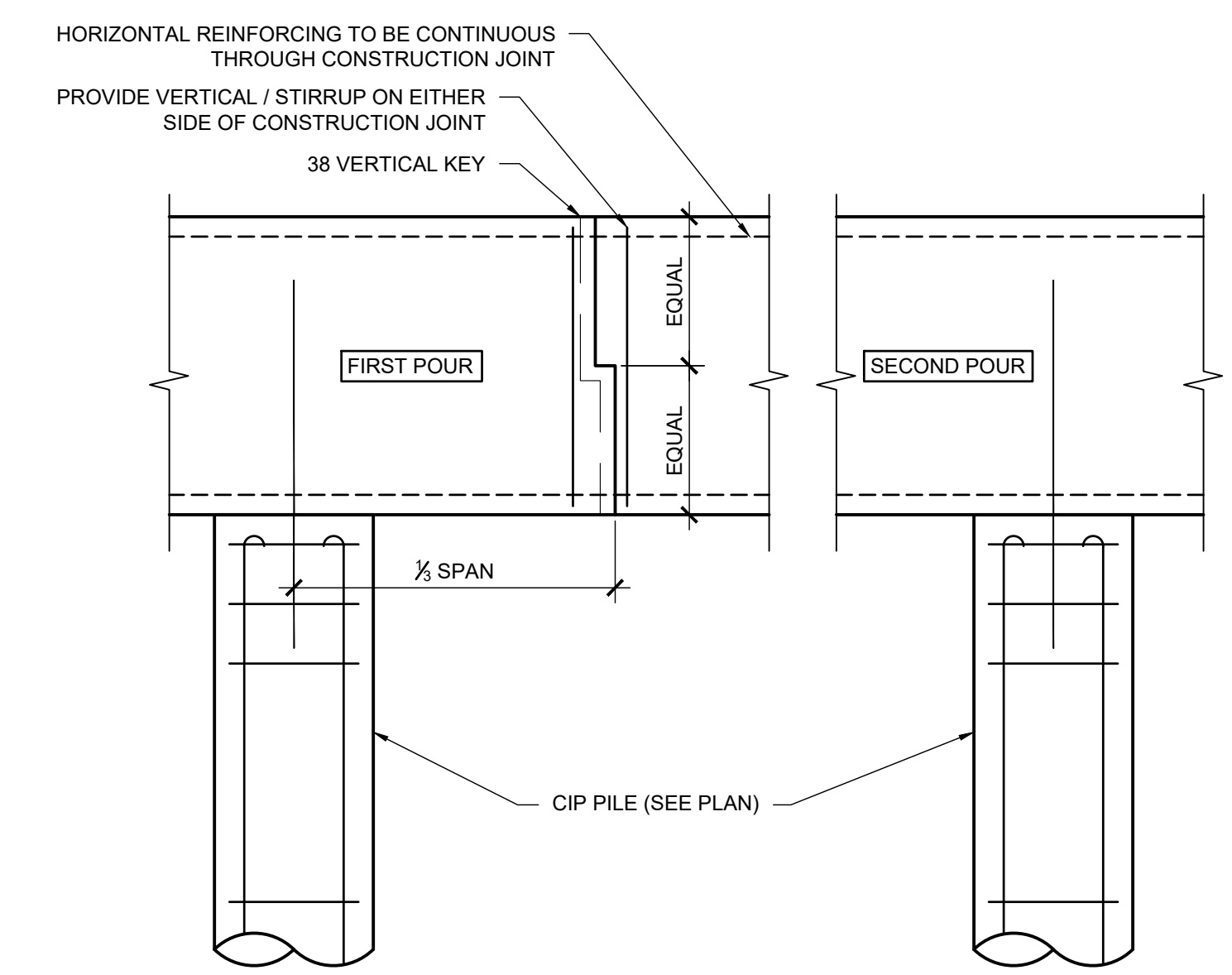
ALL DRAWINGS AND SPECIFICATIONS ARE THE PROPERTY OF THE STRUCTURAL ENGINEER.
 NO REPRODUCTIONS MAY BE MADE WITHOUT THE CONSENT OF THE STRUCTURAL ENGINEER AND ALL REPRODUCTIONS MUST BEAR THE NAME OF THE STRUCTURAL ENGINEER.
 THE GENERAL CONTRACTOR SHALL VERIFY ALL DIMENSIONS, DATUMS AND LEVELS NOTED ON THE DRAWINGS WITH THE CONDITIONS ON SITE AND SHALL BE RESPONSIBLE FOR REPORTING ANY ERRORS OR OMISSIONS TO THE STRUCTURAL ENGINEER FOR ADJUSTMENTS.
 THIS DRAWING SHALL NOT BE SCALED.



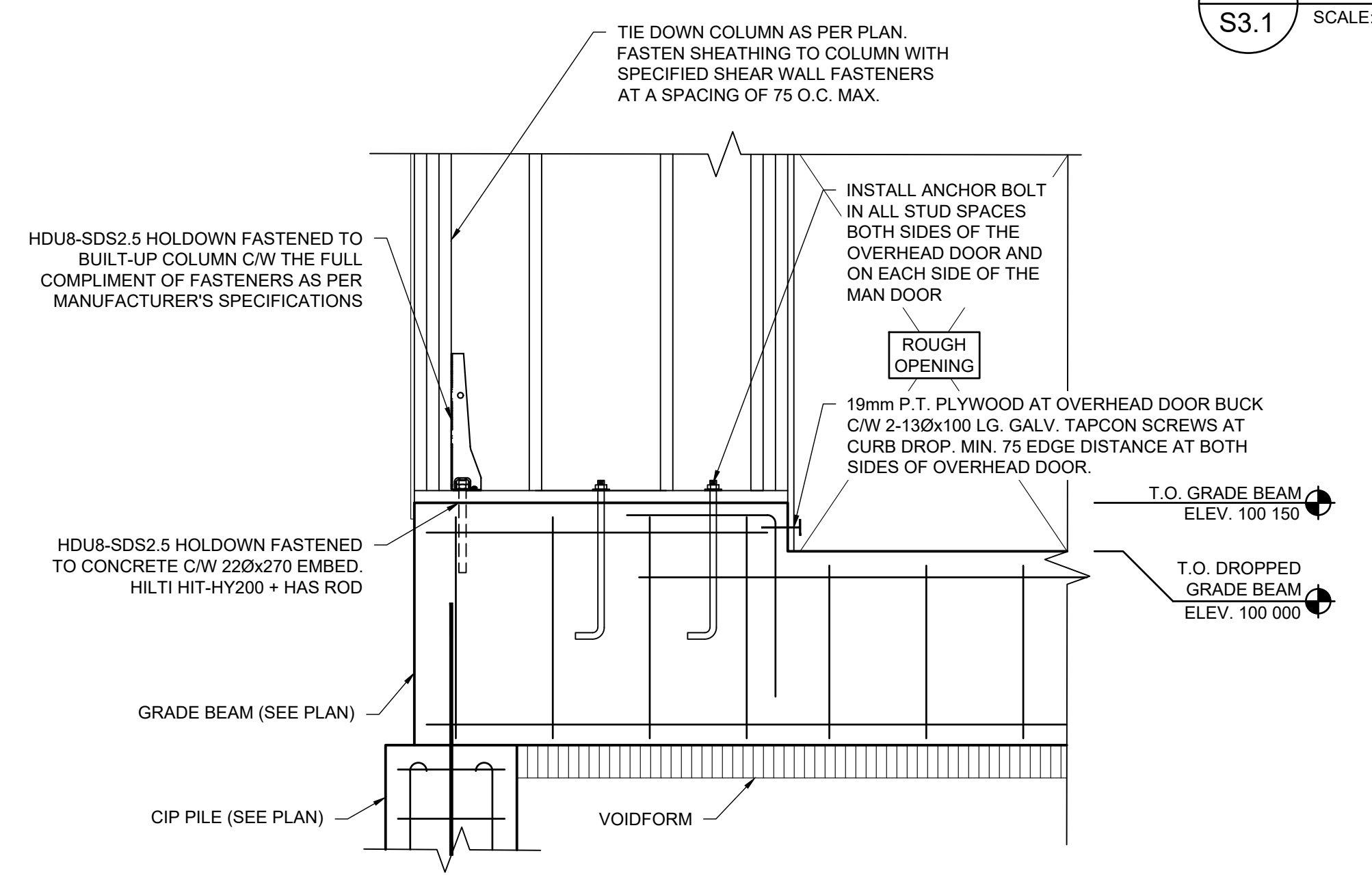
1 TYPICAL STRUCTURAL SLAB DETAIL
 S3.1 SCALE: 1:16



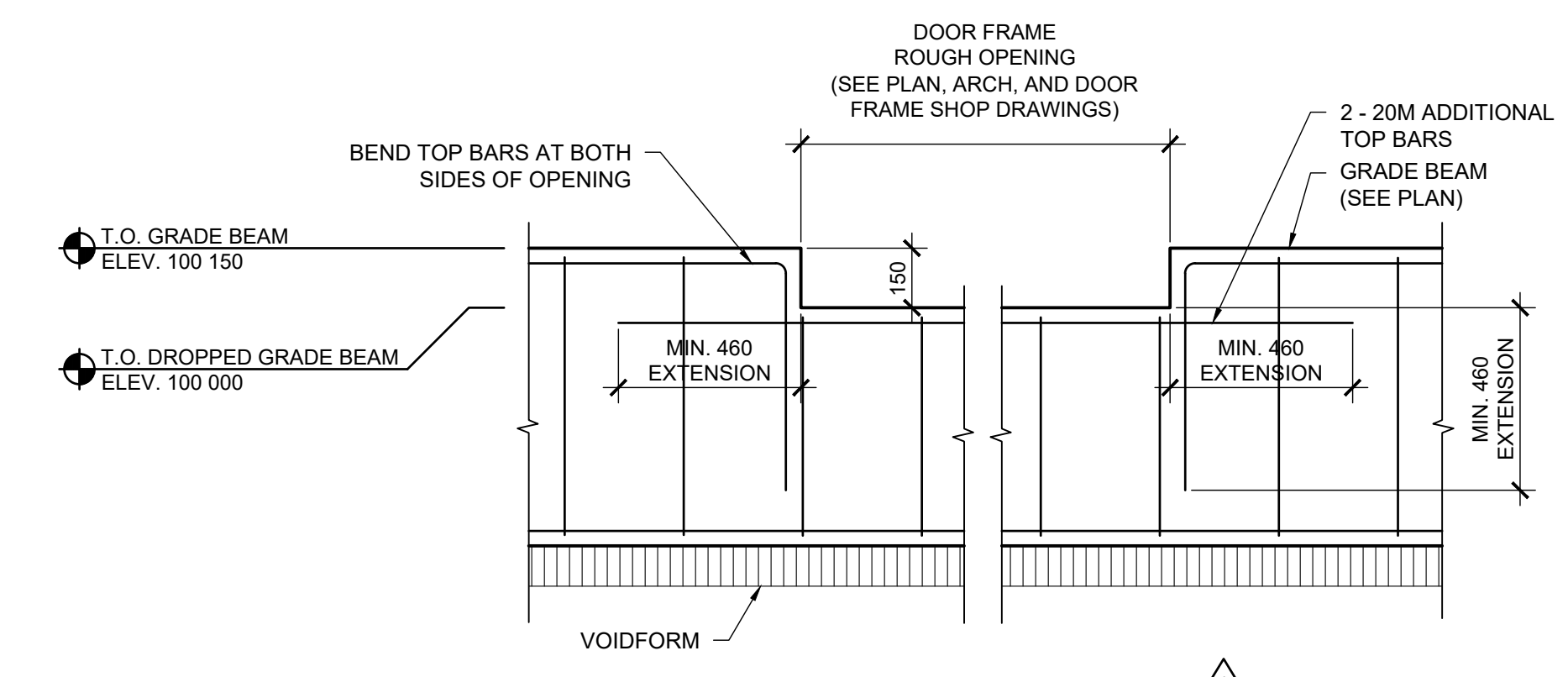
2 TYPICAL STRUCTURAL SLAB @ DROP PANEL DETAIL
 S3.1 SCALE: 1:16



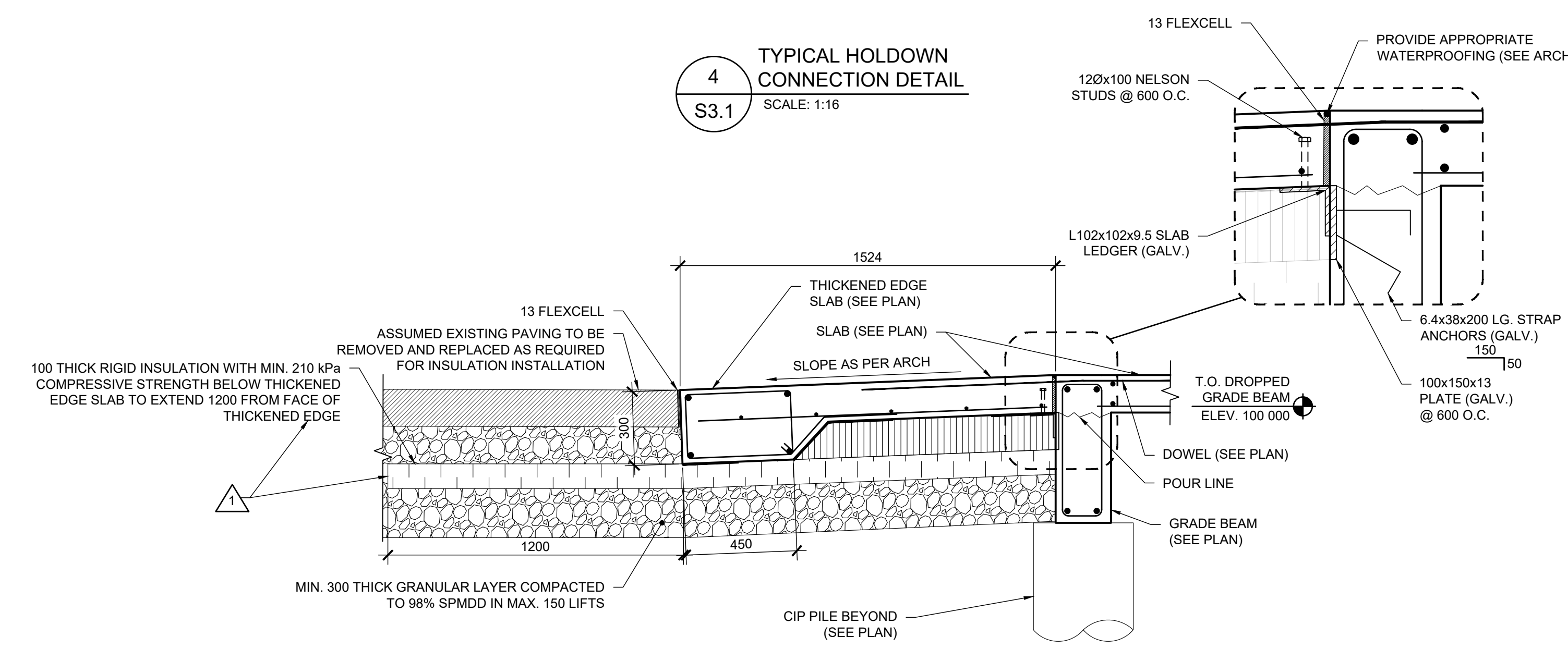
3 TYPICAL GRADE BEAM CONSTRUCTION JOINT DETAIL
 S3.1 SCALE: 1:16



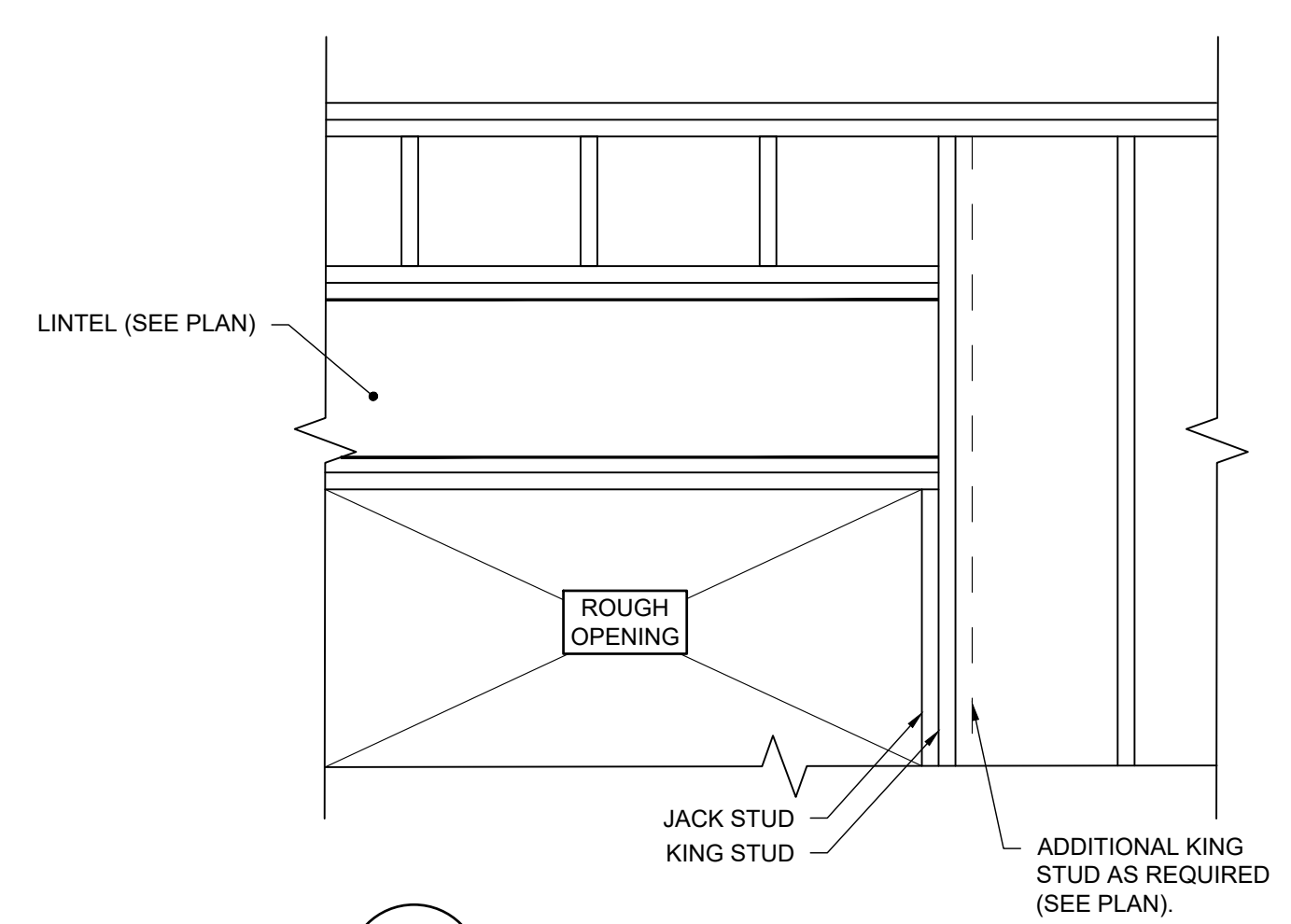
4 TYPICAL HOLDDOWN CONNECTION DETAIL
 S3.1 SCALE: 1:16



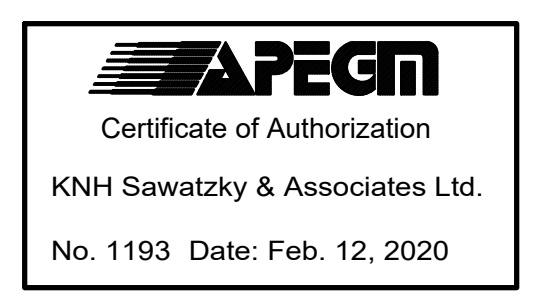
5 TYPICAL GRADE BEAM DROPPDOWN DETAIL
 S3.1 SCALE: 1:16



6 GARAGE ENTRANCE SLAB DETAIL
 S3.1 SCALE: 1:16



7 TYPICAL LINTEL SECTION
 S3.1 SCALE: 1:16



NO.	REVISIONS	DATE	APP'D
1	RE-ISSUED FOR CONSTRUCTION	20.02.12	M.I.
0	ISSUED FOR CONSTRUCTION	19.11.27	M.I.

Prime Consultant:

KNH SAWATZKY & ASSOCIATES
 STRUCTURAL ENGINEERING
 CONSULTANTS

SEAL: PROVINCE OF MANITOBA, Feb. 12, 2020, N. SAATZKY, Registered Professional Engineer, 30886

SEAL: - STRUCTURAL ONLY - CONTACT ENGINEER FOR INSPECTIONS

Project: CITY OF WINNIPEG
 BRIDGWATER STORAGE GARAGE
 200 NORTH TOWN ROAD
 WINNIPEG, MANITOBA

drawing title: DETAILS AND SECTIONS

approved by: MI	drawn by: BC
date: FEBRUARY 2020	project no.: 19.236
designed by: ZL	
sheet: S3.1	REV. 1